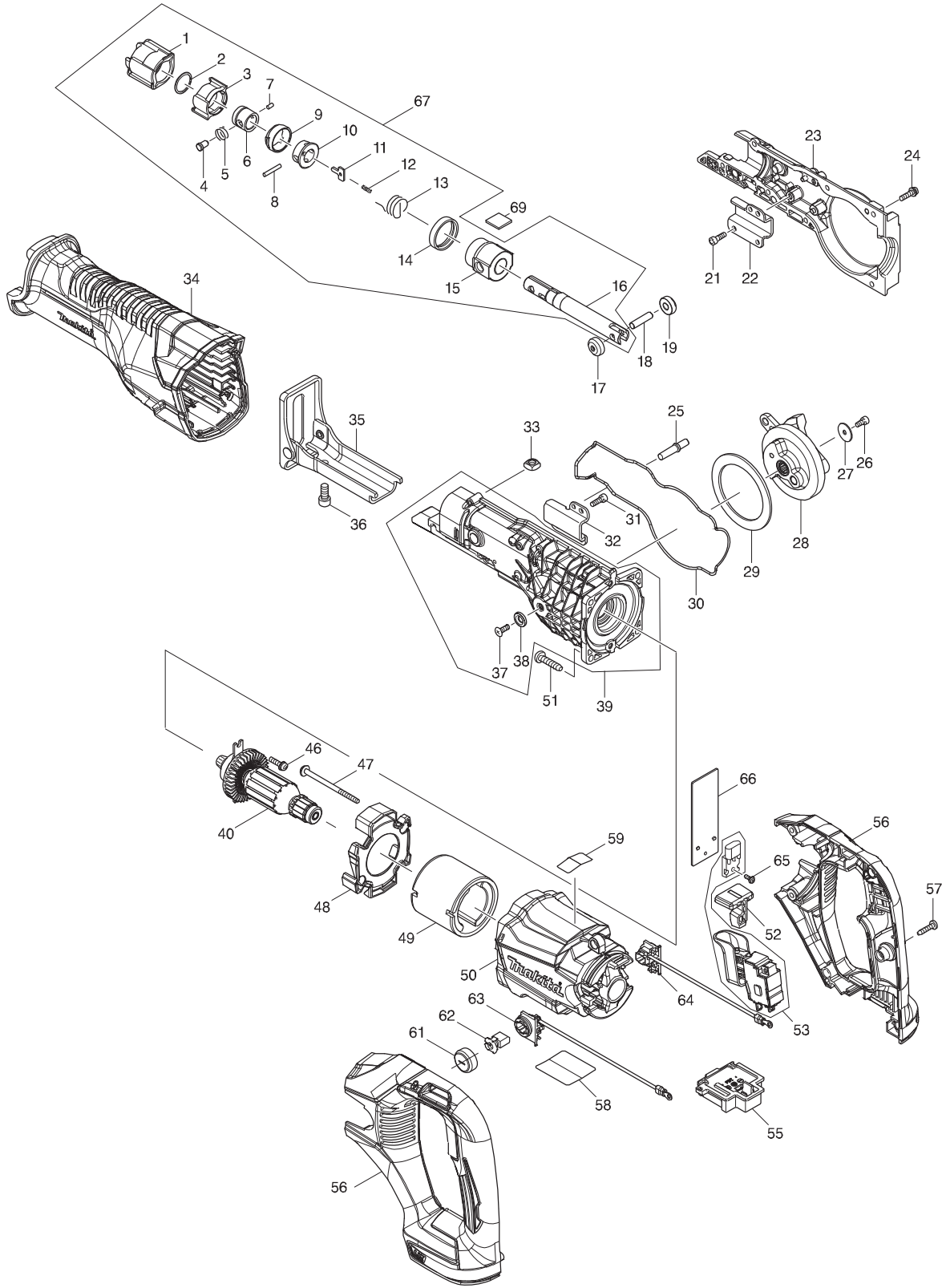




05 - 2016
DJR186RME / DJR186Z
18V LXT Reciprocating Saw



Item No.	Type	Sub	Part No.	Description	Qty	Unit
1			424763-8	PROTECTOR	1	PC.
2			257952-8	RETAINING RING (EXT) 18	1	PC.
3			310662-9	DRIVING SLEEVE	1	PC.
4			256569-4	SHOULDER PIN 5	1	PC.
5			234381-2	COMPRESSION SPRING 6	1	PC.
6			331720-8	GUIDE SLEEVE	1	PC.
7			268094-3	PIN 3	1	PC.
8			256158-5	PIN 3	1	PC.
9			417791-0	DRIVING SLEEVE GUIDE	1	PC.
10			418311-3	SLEEVE	1	PC.
11			345214-7	PUSH PLATE	1	PC.
12			233025-1	COMPRESSION SPRING 2	1	PC.
13			231687-9	TORSION SPRING 17	1	PC.
14			424762-0	RUBBER RING	1	PC.
15			143365-8	SLIDER GUIDE COMPLETE	1	PC.
		INC.	213151-2	OIL SEAL 14	1	PC.
		INC.	213174-0	X RING 14	1	PC.
16			161376-1	SLIDER	1	PC.
17			310663-7	ROLLER	1	PC.
18			268341-2	PIN 6	1	PC.
19			310663-7	ROLLER	1	PC.
21	2		265353-6	HEX. SOCKET HEAD BOLT M4X12	2	PC.
22			346936-2	ROD GUIDE R	1	PC.
23			143381-0	GEAR HOUSING R COMPLETE	1	PC.
24			911128-8	PAN HEAD SCREW M4X16	7	PC.
25			256567-8	SHOULDER PIN 6-8	1	PC.
26	2		265911-8	HEX. SOCKET HEAD BOLT M4X8	1	PC.
27			267491-0	FLAT WASHER 4	1	PC.
28			143377-1	GEAR COMPLETE	1	PC.
29			267490-2	FLAT WASHER 54	1	PC.
30			424764-6	SEAL RING	1	PC.
31	2		265353-6	HEX. SOCKET HEAD BOLT M4X12	2	PC.
32			346935-4	ROD GUIDE L	1	PC.
33			252157-5	SQUARE NUT M6	1	PC.
34			424768-8	INSULATION COVER	1	PC.
35			161375-3	SHOE	1	PC.
36			265531-8	HEX.SOCKET HEAD BOLT M6X14	1	PC.
37	2		265135-6	+ COUNTERSUNK HEAD SCREW M4X10	1	PC.
38			253825-3	FLAT WASHER 6	1	PC.
39	1		123511-9	GEAR HOUSING L ASSEMBLY	1	PC.
		INC.		Item No. 37,38		
	2		126678-2	GEAR HOUSING L ASSEMBLY	1	PC.
		INC.		Item No. 37,38		
40			519392-1	ARMATURE ASS'Y 18V	1	PC.
		INC.	961055-9	RETAINING RING S-15	1	PC.
		INC.	211247-3	BALL BEARING 6002DDW	1	PC.
		INC.	227650-8	SPIRAL BEVEL GEAR 7	1	PC.
		INC.	285740-3	BEARING RETAINER 66	1	PC.
		INC.	210062-2	BALL BEARING 607ZZ	1	PC.
46			911128-8	PAN HEAD SCREW M4X16	2	PC.
47			266292-3	TAPPING SCREW 4X65	2	PC.
48			456207-0	BAFFLE PLATE	1	PC.
49			638571-3	YOKE UNIT	1	PC.
50			456206-2	MOTOR HOUSING	1	PC.
51			266041-8	TAPPING SCREW 5X25	4	PC.
52			456208-8	LOCK OFF BUTTON	1	PC.
53			650760-0	* SWITCH TG573FSB-9V	1	PC.

Item No.	Type	Sub	Part No.	Description	Qty	Unit
55	1		644808-8	* TERMINAL	1	PC.
	2		644809-6	* TERMINAL	1	PC.
56	1		183C48-6	* HANDLE SET	1	SET
		INC.	263005-3	* RUBBER PIN 6	2	PC.
	2		183C49-4	* HANDLE SET	1	SET
		INC.	263005-3	* RUBBER PIN 6	2	PC.
57			266326-2	TAPPING SCREW 4X18	6	PC.
58			851R04-1	NAME PLATEF/DJR186	1	PC.
59			807Y38-4	CAUTION LABEL	1	PC.
61			643829-7	HOLDER CAP	2	PC.
62			195022-4	CARBON BRUSH CB-441 2PC/SET W/ORIGIN	1	SET
63			643505-3	BRUSH HOLDER	1	PC.
64			643506-1	BRUSH HOLDER	1	PC.
65			911011-9	PAN HEAD SCREW M3X10	1	PC.
66			689204-3	HEAT SINK	1	PC.
67			123510-1	SLIDER ASSEMBLY	1	PC.
		INC.		Item No. 1-16		
69			424858-7	FELT 16X16	1	PC.
<u>ACCESSORIES</u>				- Visit www.makita.ca for more accessories information -		
A01			194068-7	RECIPRO SAW BLADE SET	1	SET
A02			---	18V LI-ION BATTERY	2	PC.
A03			---	BATTERY CHARGER		
A04			141354-7	PLASTIC CARRYING CASE	1	PC.
A05			---	LI-ION BATTERY ACCESSORIES		

SERVICE CHANGES

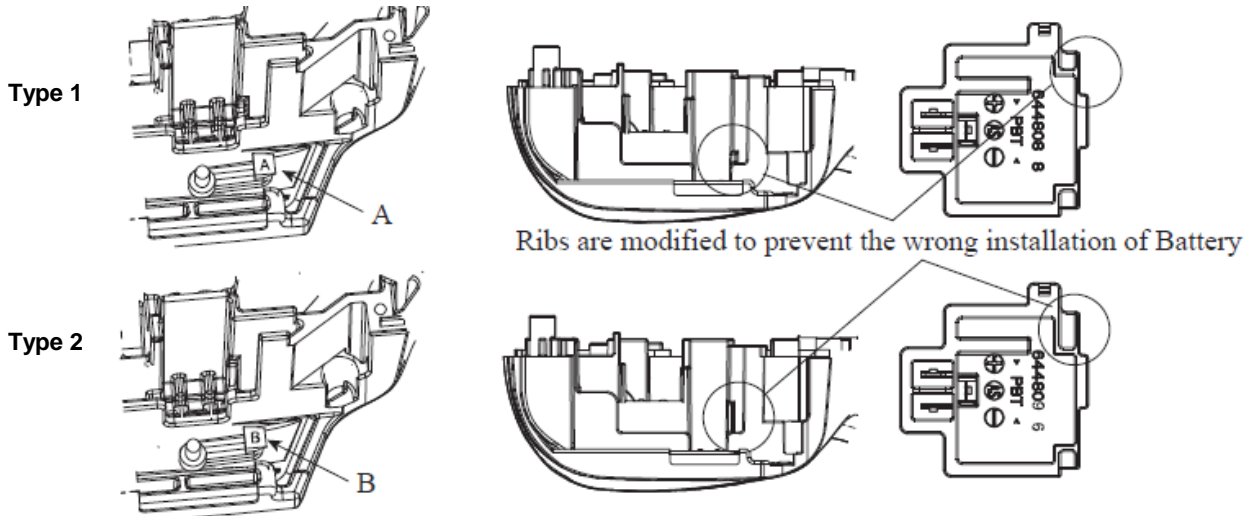
1. Changes on Housing Set and Terminal

(TI#B4531)

Item No.	Description	Type 1	Type 2
55	TERMINAL	644808-8	644809-6
56	HANDLE SET	183C48-6	183C49-4
	INC. RUBBER PIN 6	263005-3	263005-3

Above parts are completely interchangeable as a set.

Implement :From serial No. 27962Y (June, 2016)



1. Changes on Switch

(TI#B3201)

Item No.	Description	Type 1	Type 2
53	Switch		650760-0 *See T/l# B3201 for wiring change